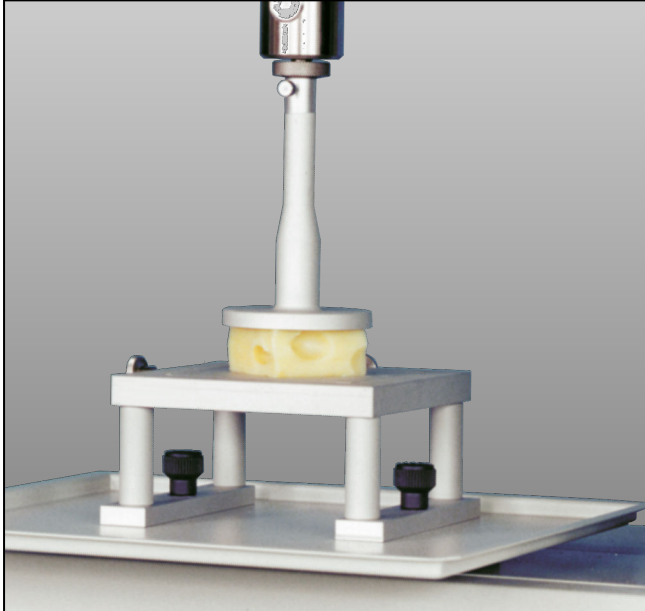


Product Information

Compression die

CTA: 46750 46751



Compression die

Applications

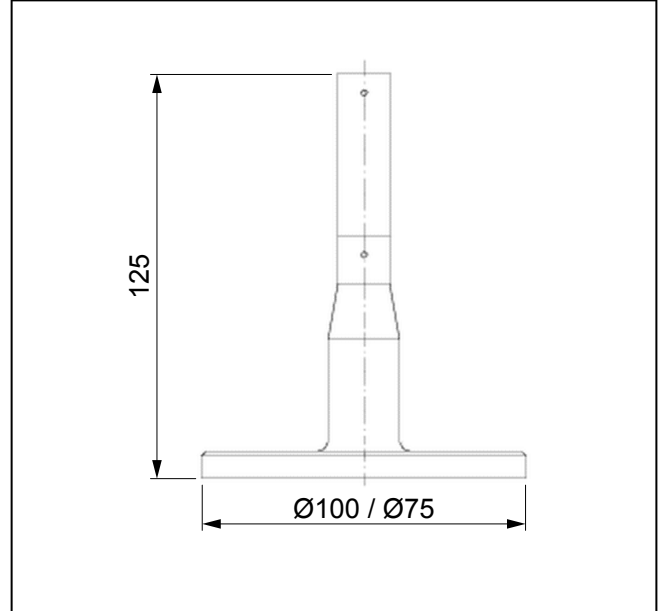
Testing the hardness, firmness or pressure-sensitivity of semi-solid products, e.g. for analysis of stacking behavior or aging behavior

• Specimen material:

butter, cheese, fruit, pasta, similar materials

Test arrangement and performance

The test arrangement consists of a baseplate plus a compression die 75 mm or 100 mm in diameter. Care



Compression die, general view

must be taken that the specimen is smaller than the compression die. The specimen is compressed to a defined degree, then unloaded again (cyclic test). Compression and unloading behavior is recorded in force/displacement or force/time measurements. This allows conclusions to be drawn concerning the freshness of the products.

- screw connection for fast, easy changes

Product Information

Compression die

Technical data

Type Item no.	Compression die Ø 75 mm 320400	Compression die, Ø 100 mm	
Test load F_{max}	1		kN
Dimensions			
Height	125	125	mm
Diameter	75	100	mm
Connection	Bolt Ø 8 mm	stud, Ø 8 mm	
Temperature range	+10 to +35		°C
Weight, approx.	0.2		kg

Optional accessories

Recommended:

- Universal platform, Item No. 085019
- insert plate with engraved center marking, Item No. 362693